



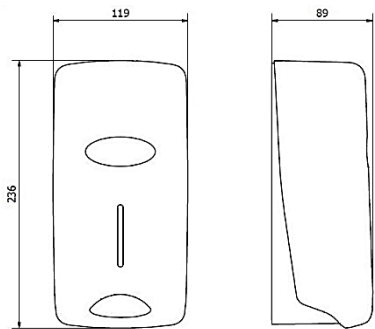
WHITE

ABS

BLACK



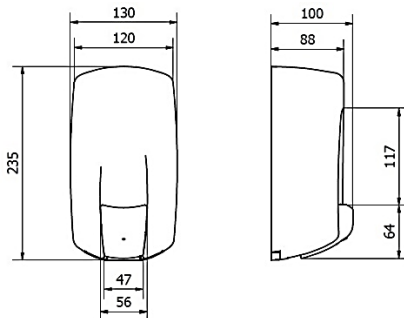
SOAP DISPENSER



Refillable soap dispenser.
Capacity: 1 L
Quantity per dose : 1 gr
* Also available for cartridge soap.
Ref. AC25050 – White
Ref. AC27650 – Black



SOAP DISPENSER

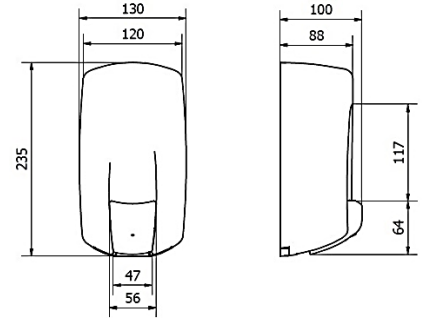


Refillable soap dispenser.
Capacity: 0.90 L
Quantity per dose : 1 gr

Ref. AC70000



SENSOR SOAP DISPENSER

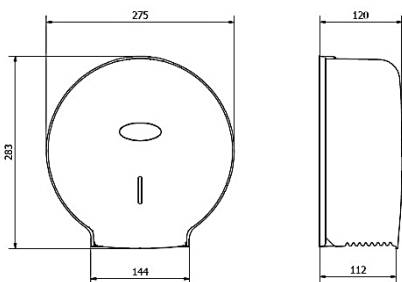


Refillable soap dispenser.
Capacity: 0.90 L
Quantity per dose : 1 gr
Chromed push button.

Ref. AC70600



JUMBO TOILET PAPER DISPENSER

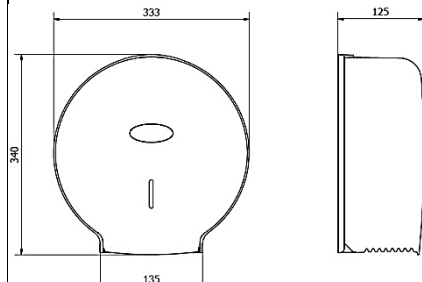


Maximum diameter: 220 mm Ø.
Mandrel diameter: 45 mm.
Jumbo Roll up to 300 m.

Ref. AE57000 – White
Ref. AE57600 – Black



MAXI JUMBO TOILET PAPER DISPENSER

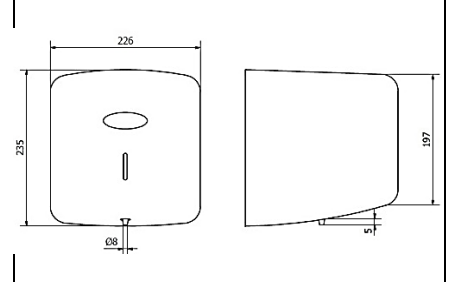


Maximum diameter: 260 mm Ø.
Mandrel diameter: 45 & 55 mm.
Jumbo Roll up to 400 m.

Ref. AE77000 – White
Ref. AE77600 – Black



CENTERFEED TOILET PAPER DISPENSER

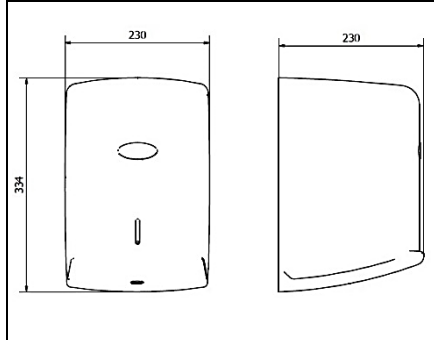


Maximum roll diameter: 210 mm Ø.
Maximum roll height: 130 mm.
Jumbo Roll up to 300 m.

Ref. AE67000 – White
Ref. AE67600 – Black



CENTERFEED TOWEL DISPENSER

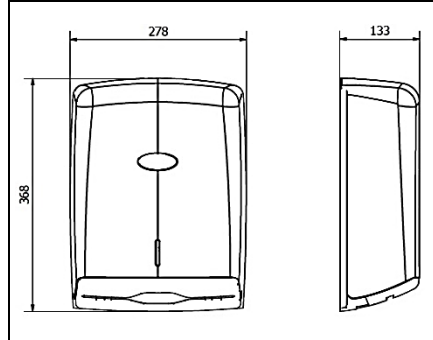


For rolls up to 205 mm diameter Ø.

Ref. AG47000 – White
Ref. AG47600 – Black



FOLDED TOWEL DISPENSER

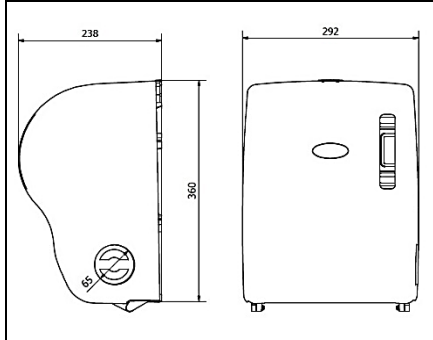


For standard size towels.
Up to 600 z-folded towels.

Ref. AH37000 – White
Ref. AH37600 – Black



TOWEL DISPENSER - AUTOCUT

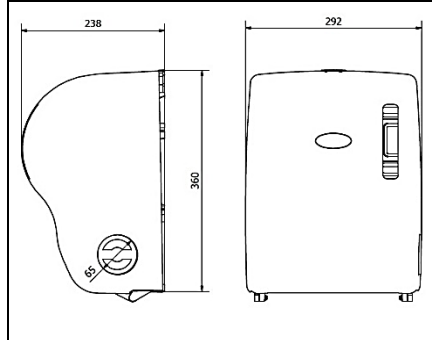


Autocut dispenser – sheets of 27 cm.
For rolls up to 210 mm wide and 210 mm Ø.

Ref. AG56000 – Standard paper
Ref. AG560M0 – Hard paper



TOWEL DISPENSER - AUTOCUT



Autocut dispenser – sheets of 27 cm.
For rolls up to 210 mm wide and 210 mm Ø.

Ref. AG56600 – Standard paper
Ref. AG566M0 – Hard paper



PLASTIC INSERT

All the dispensers of this range can be customized with:

- JOFEL logo.
- ANONYMOUS (plain).
- your PRIVATE LABEL logo.

For Private Label logos, please contact us for the MOQ and conditions.
Thank you

Ref. RG1019J – JOFEL White
Ref. RG1033J – JOFEL Black
Ref. RG1019 – Anonymous White
Ref. RG1033 – Anonymous Black
Plastic Inserts not for AC70*** dispenser.



OMEGA d.o.o | Ljutomerska cesta 28 | 9250 Gornja Radgona
Tel: +386 2 561 17 62 | Fax: +386 2 561 15 24

info@omegadoo.si | www.cistilnaoprema.si

