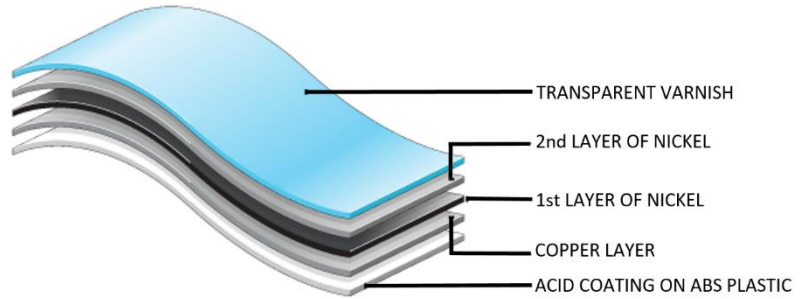




Nickel  
28  
**Ni** CKEL  
58.693

### NICKEL PLATED ABS – UNIQUE TECHNOLOGY

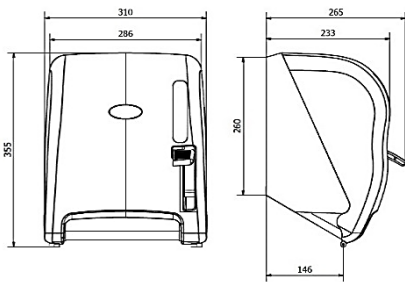
- SATIN STAINLESS STEEL LOOK & TOUCH
- NEVER RUST
- RESIST TO AGGRESSIVE CHEMICALS
- FINGERPRINT PROOF
- SCRATCH PROOF
- CHEAPER THAN STAINLESS STEEL



UNIQUE PRODUCT MANUFACTURED BY JOFEL



TOWEL ROLL DISPENSER - LEVER

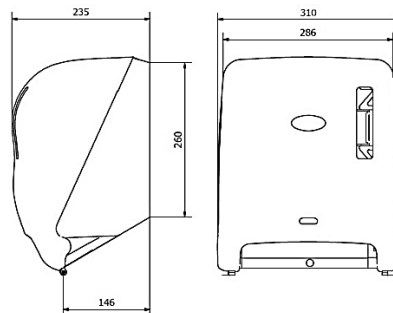


Lever operated.  
For rolls up to 220 mm wide and 190 mm Ø.

Ref. AG14800



TOWEL ROLL DISPENSER - SENSOR

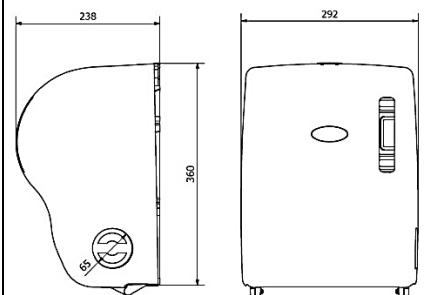


Optical sensor – battery or power supply.  
For rolls up to 200 mm wide and 220 mm Ø.  
Adjustable length: 24/36 cm per service.

Ref. AG19800



TOWEL ROLL DISPENSER - AUTOCUT

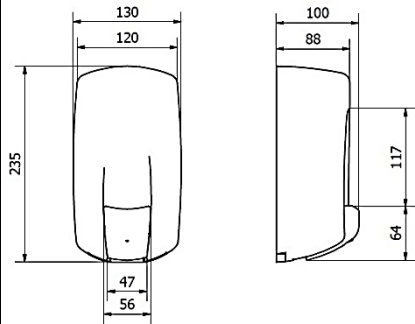


Autocut dispenser – 27 cm sheet per service.  
For rolls up to 210 mm wide and 210 mm Ø.

Ref. AG58000 – Standard paper  
Ref. AG580M0 – Hard paper



SOAP DISPENSER

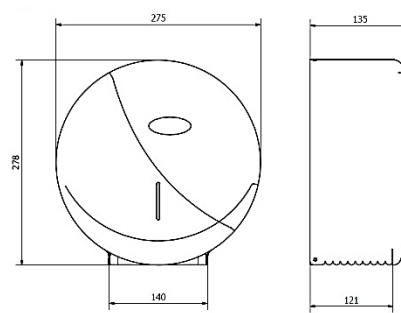


Refillable soap dispenser.  
Capacity: 0.90 L  
Quantity per dose : 1 gr

Ref. AC70800



JUMBO TOILET PAPER DISPENSER

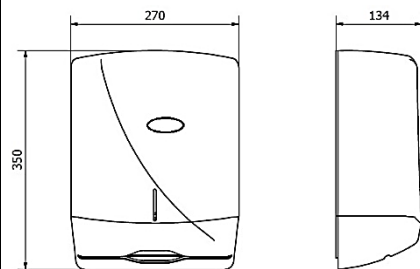


Maximum diameter: 220 mm Ø / 310 mm Ø.  
Jumbo Roll up to 300 m / 500 m.  
Mandrel diameter: 45 mm.

Ref. AE58300 – mini 300 m.  
Ref. AE58500 – maxi 500 m.



FOLDED TOWEL DISPENSER

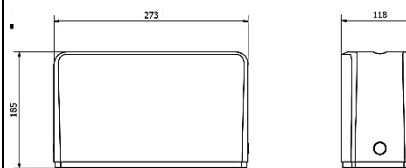


For standard size towels.  
Up to 600 z-folded towels.

Ref. AH38000



COUNTER TOP TOWEL / NAPKIN DISPENSER



Countertop dispenser with non-slip rubber pads.  
Up to 250 folded napkins / towels.

Ref. AH52800



OMEGA d.o.o | Ljutomerska cesta 28 | 9250 Gornja Radgona  
Tel: +386 2 561 17 62 | Fax: +386 2 561 15 24

[info@omegadoo.si](mailto:info@omegadoo.si) | [www.cistilnaoprema.si](http://www.cistilnaoprema.si)

